

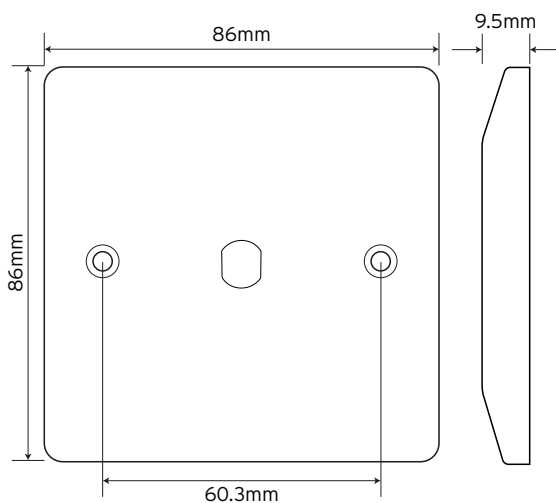
## NDP1 Dimmer Plate & Knob



**20  
YEAR  
GUARANTEE**

A new take on traditional moulded wiring accessories manufactured in bright white Urea.

### Technical Drawing



### Technical Specifications

|                                 |  |
|---------------------------------|--|
| <b>No Gangs</b>                 | 1  |
| <b>Material Composition</b>     | Front Plate - Urea                             |
| <b>Back Box Depth</b>           | Dependent on modules fitted                    |
| <b>Warranty</b>                 | 20 Years                                       |
| <b>Anti Microbial Certified</b> | Yes  |
| <b>IP Rating</b>                | IP20   |
| <b>Operational Temperature</b>  | -5° to +40°C                                   |
| <b>Standards</b>                | BS 5733 : 2010 + A1 : 2014, Modified ISO 22196 |
| <b>Dimensions</b>               | 86x86x9.5mm (HxWxD)                            |